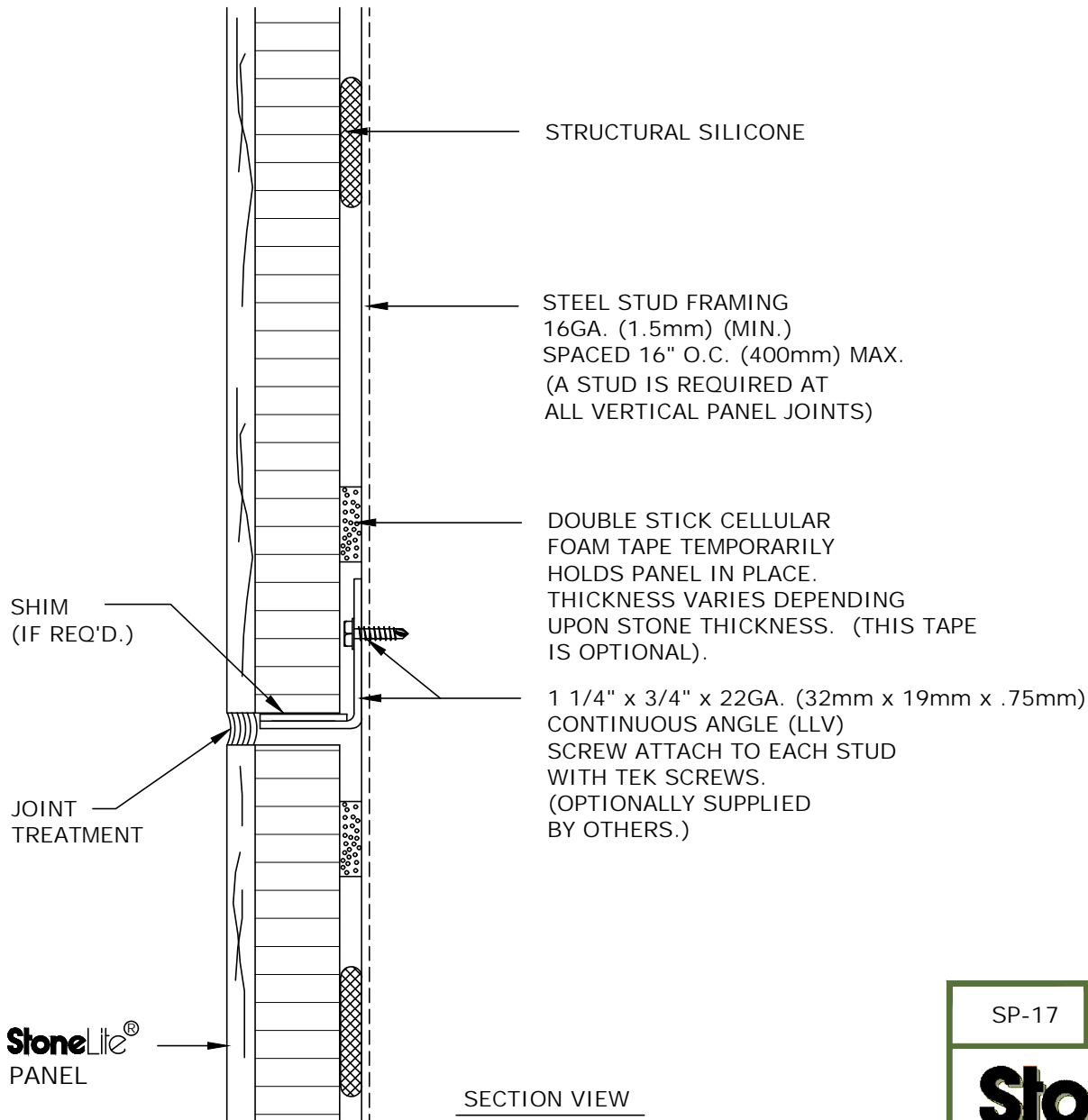
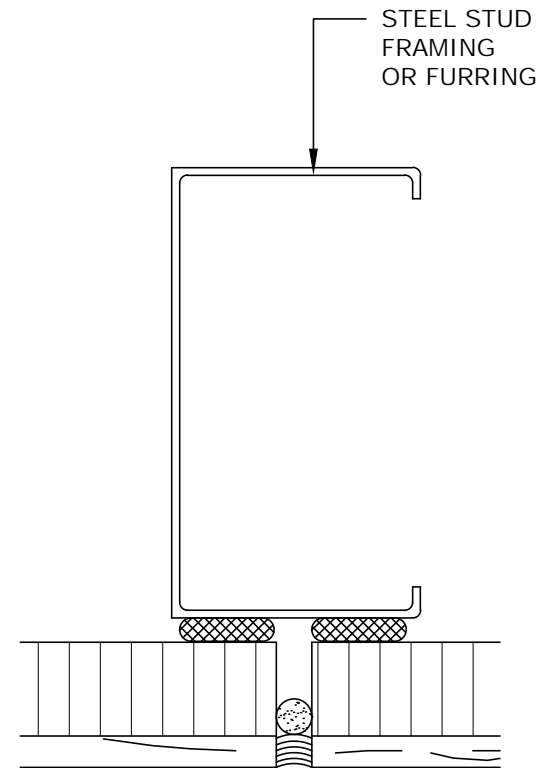


1 1/8" (29mm)  
 15/16" (24mm)  
 +/- 1/16" (1.5mm)  
 VARIES, 1/8" TO 1/4" (3mm - 6mm) DEPENDING UPON STONE THICKNESS



SECTION VIEW



PLAN VIEW

SP-17

INTERIOR STRUCTURAL SILICONE ATTACHMENT OVER STEEL STUD FRAMING / FURRING

**Stonepanels**  
 INTERNATIONAL LLC

2400 HWY 1431 WEST  
 Marble Falls, TX 78654  
 800.328.6275  
 www.stonepanels.com