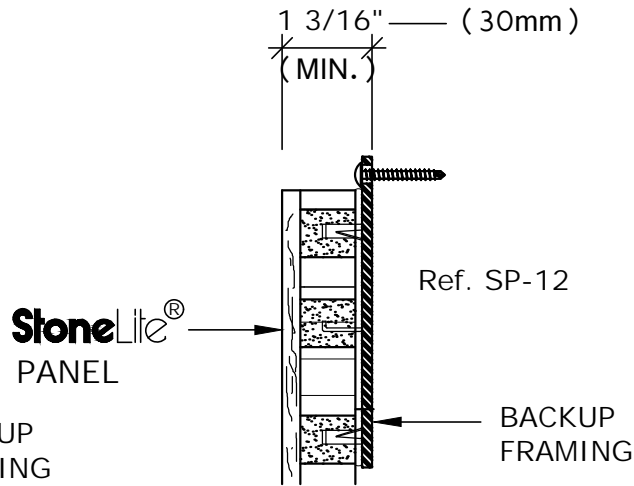


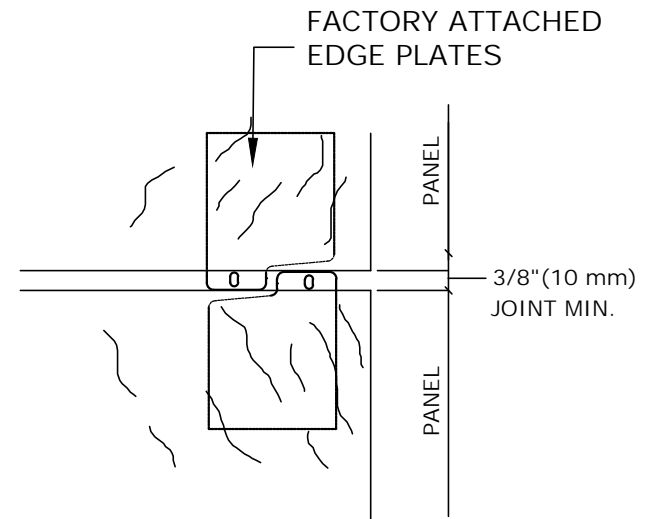
WIDE INTERLOCKING CHANNEL SYSTEM

Interior or Exterior Application

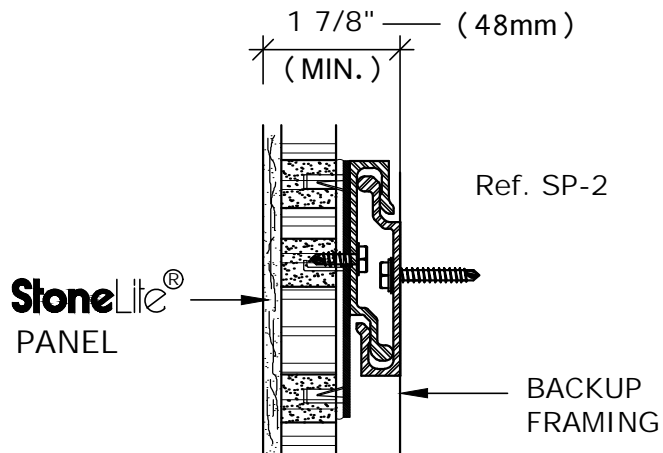


EDGE PLATE SYSTEM

Interior or Exterior Application

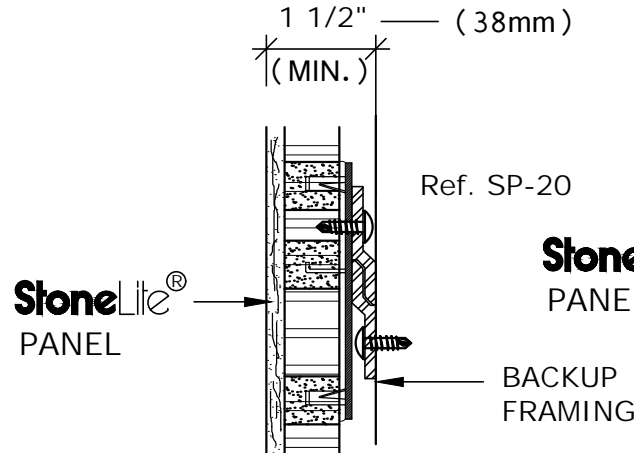


EDGE PLATE ELEVATION



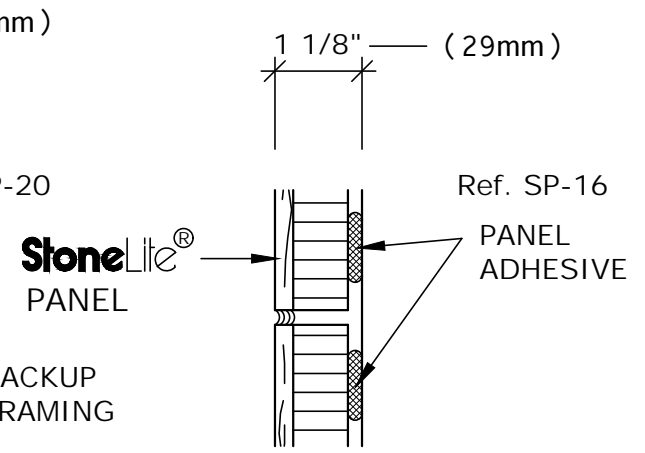
NARROW INTERLOCKING CHANNEL SYSTEM

Interior or Exterior Application



Z-CLIP ATTACHMENT SYSTEM

Elevator Cab Application



ADHESIVE ATTACHMENT SYSTEM

Interior Application

**NOTE:** DIMENSIONS SHOWN ARE FOR 3/16" (5mm) STONE ON 3/4" (19mm) HONEYCOMB

SP-42

ATTACHMENT DETAILS

**Stonepanels**  
INTERNATIONAL LLC

2400 HWY 1431 WEST  
Marble Falls, TX 78654  
800.328.6275  
www.stonepanels.com